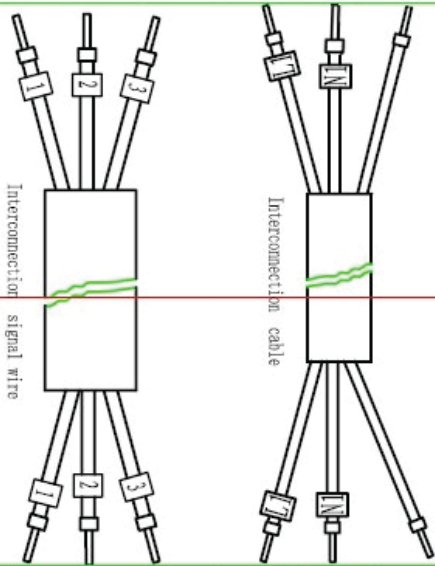
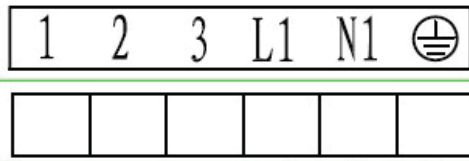


WIRING DIAGRAM FOR MODELS 25GW, 26GW & 35GW  
 9000 AND 12000 BTU  
 115 V 60 HZ SINGLE PHASE

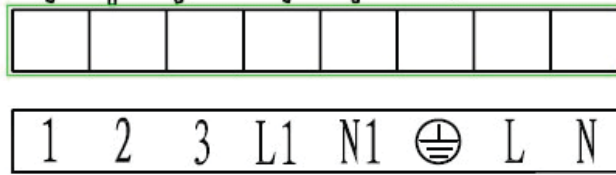


The wiring terminal of indoor unit

INDOOR UNIT  
 TERMINAL BLOCK

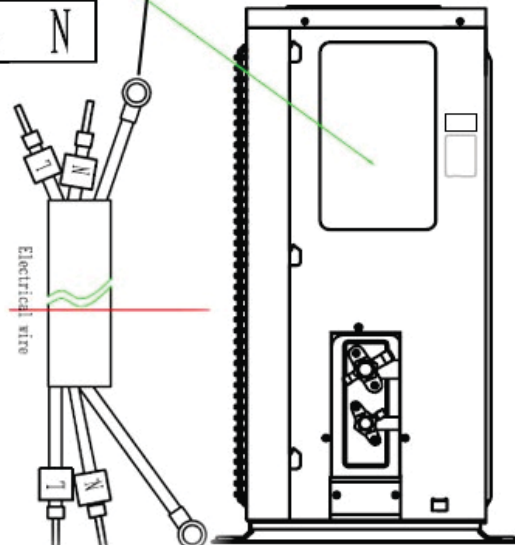


OUTDOOR UNIT  
 TERMINAL BLOCK



Ground Connection on Plate

The wiring terminal of outdoor unit  
 (under handle)



MAIN POWER  
 115V 60Hz Single Phase  
 Connect to 20 Amp Breaker