

**OWNER'S MANUAL**

# **REMOTE CONTROLLER**

The design and specifications are subject to change without prior notice for product improvement. Consult with the sales agency or manufacturer for details.

- Please read this Owner's Manual carefully before operation.
- Save this manual in a safe place for future reference.

CR052-RG51M5  
202055091282

## CONTENTS

Remote Controller Specification.....	1
Performance Features.....	4
Features of the Remote controller Buttons .....	1
Indicators on Display panel.....	3
Operating the Remote Controller.....	4
Warning.....	7

### 3. Set the starting & stopping time

- 3.1 Push the TIMER ON button, the remote controller will show TIMER ON, the last set time for START operation and the signal "h" will be shown on the DIGITAL display area. You are now ready to readjust the TIMER ON to start the operation.
- 3.2 Push the TIMER ON button again to set the time you want to start the operation.
- 3.3 Push the TIMER OFF button, the remote controller will show TIMER OFF, the last set time for STOP operation and the signal "h" will be shown on the DIGITAL display area. You are now ready to reset the time to STOP operation.
- 3.4 Push the TIMER OFF button again to set the time you want to stop the operation.
- 3.5 After setting the TIMER, there will be a one-half second delay before the remote controller transmits the signal to the Air Conditioner. Then, after approximately another 2 seconds, the signal "h" disappears and the set temperature will re-appear on the digital display.

### Change the TIMER

- To change the TIMER ON/OFF time, just press the corresponding TIMER button and reset the time.
- To cancel the TIMER ON/OFF setting, just adjust the TIMER time to 0:00.

### ▲NOTE

The setting time is relative time. That is the time set is based on the delay of the current time.

### Warning

1. Be sure there are no obstacles between the remote controller and the receiver of indoor unit otherwise the air conditioner will not work.
2. Keep the Remote Controller away from any liquids.
3. Protect the remote controller from the high temperatures and exposure to radiation.
4. Keep the indoor receiver out of direct sunlight or the Air Conditioner may malfunction.
5. Keep Remote Controller away from EMI(Electro-Magnetic Interference) supplied by other household appliances.

### Remote Controller Specification

Model	RG51M5/(C)EU
Rated Voltage	3.0V(Dry batteries LR03 ×2)
Lowest Voltage of CPU Emitting Signal	2.0V
Transmission Distance	8m
Environment	23°F~140°F

### Performance Features

1. Operating Mode: AUTO、COOL、 DRY、 HEAT(Cooling only model without) and FAN .
2. Timer Setting Function in 24 hours.
3. Indoor Setting Temperature Range: 62°F~ 86°F
4. Full function of LCD (Liquid Crystal Display)

### Features of Remote controller buttons

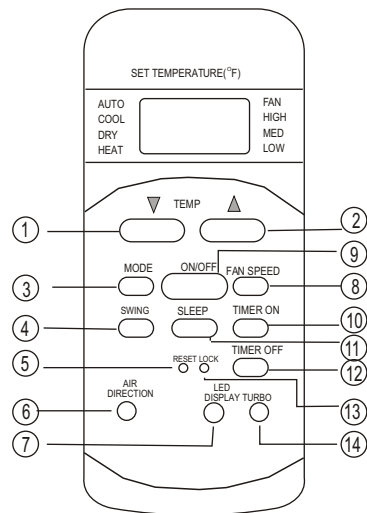


Fig. 1

- ① **TEMP Button ▼**: Push this button to decrease the indoor temperature setting.
- ② **TEMP Button ▲**: Push this button to increase the indoor temperature setting .
- ③ **MODE Selection Button**: Each time the button is pressed, the operation mode is shifted in the direction of the arrow:



**▲NOTE:** COOL only model has no HEAT feature.

- ④ **SWING Button**: Push this switch button to activate auto swing feature of the horizontal louver. Push it again to stop.
  - ⑤ **RESET Button**: When you press the recessed RESET button, all current settings are cancelled and the control will return to the initial settings.
  - ⑥ **AIR DIRECTION Button**: Press this button to change the swing angle of the louver. The swing angle of the louver is 6° for each press. When the louver swing at a certain angle which would affect the cooling and heating effect of the air conditioner, it would automatically change the swing direction . No symbol will appear in the display area when press this button.
  - ⑦ **LED DISPLAY Button**: Press this button to clear the digit display in the air conditioner, press it again to illuminate (Not available for the units without LED display window).
  - ⑧ **FAN SPEED Button**: Used to select the Fan Speed in four steps- AUTO 、 LOW 、 MED or HIGH. Each time the button is pressed, the fan speed mode is shifted.
  - ⑨ **ON/OFF Button**: Push this button to start operation, push the button again to stop operation.
  - ⑩ **TIMER ON Button**: Press this button to initiate the auto-on time sequence. Each press will increase the auto-timed setting in 30 minutes increments. When the setting time displays 10h, each press will increase the auto-timed setting 60 minutes increments. To cancel the auto-timed program, simply adjust the auto-on time to 0.0.
  - ⑪ **SLEEP Button**: Press this button to go into the Energy-Saving operation mode. Press it again to cancel. This function is only can be used on COOL, HEAT and AUTO mode and maintain the most comfortable temperature for you.
- ▲NOTE:** While the unit is running under SLEEP operation mode, it would be canceled if you press the MODE,FAN SPEED or ON/OFF button.

- ⑫ **TIMER OFF Button:** Press this button to initiate the auto-off time sequence. Each press will increase the auto-timed setting in 30 minutes increments. When the setting time displays 10h, each press will increase the auto-timed setting 60 minutes increments. To cancel the auto-timed program, simply adjust the auto-off time to 0.0
- ⑬ **LOCK Button:** When you press the recessed LOCK button, all current settings are locked in and the remote controller does not accept any operation except that of the LOCK. Press again to cancel the LOCK mode.
- ⑭ **TURBO Button:** Push this button on COOL mode, the air conditioner goes into powerful cooling operation. Push again to cancel the TURBO function(Not available for the air conditioner without TURBO function).

### Indicators on Display Panel

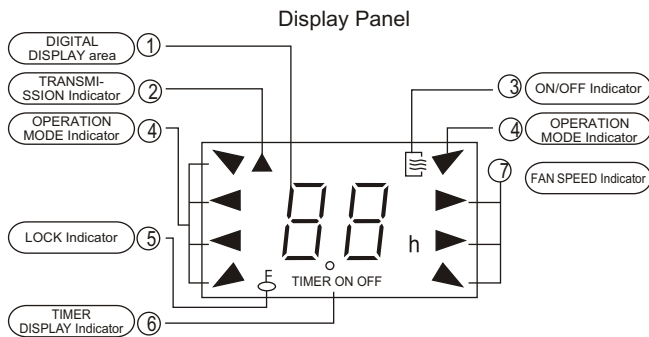


Fig. 2

- ① **DIGITAL DISPLAY area:** This area will show the set temperature and, if in the TIMER mode, will show the ON and OFF settings of the TIMER. If in the FAN mode, nothing is appeared.
- ② **TRANSMISSION Indicator:** This indicator flashes one time when remote controller transmits signals to the indoor unit.

- ③ **ON/OFF Indicator:** This symbol appears when the unit is turned on by the remote controller, and disappear when the unit is turned off.
- ④ **OPERATION MODE Indicator:** When press the MODE button, it shows the current operating mode -- "AUTO", "COOL", "DRY", "HEAT"(Cooling only model without) , or "FAN" mode.
- ⑤ **LOCK Indicator:** LOCK display is displayed by pushing the LOCK button. Push the LOCK button to clear display.
- ⑥ **TIMER DISPLAY Indicator:** This display area shows the settings of the TIMER. That is, if only the starting time of operation is set, it will display the TIMER ON. If only the turning off time of operation is set, it will display the TIMER OFF. If both operations are set, it will show TIMER ON-OFF which indicates you have chosen to set both the starting time and off time.
- ⑦ **FAN SPEED Indicator:** Press the FAN SPEED button to select the desired fan speed setting (Auto-Low-Med-High). You selection will be displayed in the LCD window except the Auto fan speed.

**NOTE:** All signs shown in the Fig.2 is for the purpose of clear presentation. But during the actual operation only the relative functional signs are shown on the display panel.

### Operating the Remote Controller

#### Install/Replace Batteries

The Remote Controller uses two alkaline dry batteries(LR03X2).

1. To instal the batteries, slide the back cover of the battery compartment and install the batteries according the direction (+and -)shown on the Remote Controller.
2. To replace the old batteries, use the same method as mentioned above.

#### NOTE

1. When replacing batteries, do not use old batteries or a different type battery. This may cause the remote control to malfunction.
2. If you do not use the remote controller for several weeks remove the batteries. Otherwise battery leakage may damage the remote controller.
3. The average battery life under normal use is about 6 months.
4. Replace the batteries when there is no answering beep from the indoor unit or if the Transmission Indicator light fails to light.
5. Do not dispose batteries as unsorted municipal waste. Collection of such waste separately for special treatment is necessary.

## AUTOMATIC OPERATION

Switch on the power and the OPERATION indication lamp on the display panel of the indoor unit starts flashing, and turns off after flashes for 6 times.

1. Use the MODE button to select AUTO.
2. Push the TEMP button to set the desired temperature within a range of 62°F ~ 86°F.
3. Push the ON/OFF button to start the air conditioner. The OPERATION lamp on the display panel of the indoor unit lights. The FAN SPEED is automatically set and there are no fan speed indicators shown on the display panel of the remote controller.
4. Push the ON/OFF button again to stop the unit operation.

### NOTE

1. In the AUTO mode, the air conditioner can logically choose the mode of COOL, FAN and HEAT by sensing the difference between the actual ambient room temperature and the set temperature on the remote controller.
2. If the AUTO mode is not comfortable for you, the desired mode can be selected manually.

## COOL/ HEAT (Cooling only model without) and FAN Operation

1. If the AUTO mode is not comfortable, you may manually over-ride the settings by using COOL, HEAT or FAN modes.
2. Push the TEMP button to set the desired temperature within a range of 62°F ~ 86°F.
3. Push the FAN SPEED to select the FAN mode of AUTO, HIGH, MED or LOW.
4. Push the ON/OFF button, the operation lamp lights and the air conditioner start to operate as your settings. Push the ON/OFF button again to stop this unit operation.

### NOTE

- The FAN mode can not be used to control the temperature. While in this mode, only steps 1、3 and 4 may be performed.

## DRY Operation

1. Push the MODE button to select DRY.
2. Push the TEMP button to set the desired temperature within a range of 62°F ~ 86°F.
3. Push the ON/OFF button, the OPERATION lamp lights and the air conditioner starts to operate in DRY mode at LOW fan speed. Push the ON/OFF button again to stop this unit operation.

### NOTE

*Due to the difference of the set temperature of the unit and the actual indoor temperature, the Air Conditioner when in DRY mode will automatically operate many times without running the COOL and FAN mode.*

## TIMER Operation

Push TIMER ON button to set the auto-on time and TIMER OFF button to set the auto-off time.

### 1. To set the starting time.

- 1.1 Push the TIMER ON button, then the remote controller shows TIMER ON, the last set time for the starting operation and the signal "h" will be shown on the DIGITAL DISPLAY area. You are now ready to reset the time to START the operation.
- 1.2 Push the TIMER ON button again to set desired unit start time.
- 1.3 After setting the TIMER ON, there will be a one-half second delay before the remote controller transmits the signal to the air conditioner. Then, after approximately another 2 seconds, the signal "h" disappears and the set temperature will re-appear on the digital display.

### 2. To set the stopping time.

- 2.1 Push the TIMER OFF button and the remote controller will show TIMER OFF, the last set time for the stopping operation and the signal "h" will be shown on the DIGITAL DISPLAY area. You are now ready to reset the time of the STOP operation.
- 2.2 Push the TIMER OFF button again to set the time you want to stop the operation.
- 2.3 After setting the TIMER OFF, there will be a one-half second delay before the remote controller transmits the signal to the air conditioner. Then, after approximately another 2 seconds, the signal "h" disappears and the set temperature will re-appear on the digital display.